

Call us today: 03 8727 6100

TRACK.

T R A I L E R

≡ TVAN ▼

≡ TOPAZ ▼

≡ MATE ▼

📄 ABOUT ▼

📡 NEWS ▼

✉ CONTACT US ▼

⚙ SERVICE

🛒 STORE

👤 CLASSIFIEDS

TVAN MODELS AND OPTIONS

The new Tvan® MK5 shares the same off-road 'DNA' as its predecessors, with several huge improvements including a new taller roof; increasing the cabin space and giving more head room above the bed. All models now come packed with more technology and further refined electrics, 2 kitchen configurations and more storage – But not at the expense of light weight touring.

The principal features of the Tvan® such as the quick erect tent, stored in its own compartment (not on the bed) and the dynamically

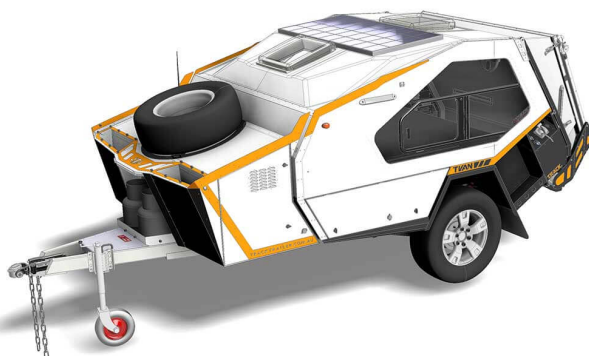
styled body have all been refined and improved with an emphasis on ease of use and reduced set up times.

All Tvan® models share the same key characteristics such as MC2 Suspension®, hot dipped galvanised chassis, durable riveted steel and aluminium construction of the cabin and lower body lockers, aluminium rear folding platform (deck), off-road electric brakes and fully articulated off-road coupling etc.

All other specifications, options and accessories are up to you. This process allows you to customise your Tvan® to match your tow vehicle's capabilities, your camping preferences and budget.

The models are identifiable by their highlighted colours; Yulara (Blue), Tanami (Green), Canning (Red) and Murranji (Orange).

Simply select a Tvan® model that best suits your needs, add options and you are on your way.



AUSTRALIAN OWNED AND MADE

- i** Built by Australians for Australians. All profits stay here and enrich our community.

DESIGNED FOR AUSTRALIAN CONDITIONS

- i** Track Trailer has a genuine military history and a reputation designing and testing products to suit the Australian outback.

TVAN QUICK GALLERY



LEADING WARRANTY



3 years on body and build, 5 years on chassis and suspension. Warranted for off-road use.

AWARDED



Camper Trailer of Millennium and Off-Road Camper of the Year in its category 2009, 2011 and 2015.

TVAN MODELS

STANDARD SPECIFICATIONS ON ALL TVAN MODELS:

This newly released range of MK5 Tvan camper trailers features more standard equipment than ever before! You'll be impressed by the Tvan's design and user friendly configurations.

SUSPENSION, CHASSIS AND BODY:

- Industry leading off-road hot dipped galvanised chassis with genuine military grade MC2 Suspension®
- Proprietary aluminium sandwich panel wall construction

- Significantly increased head height around the bed
- Off-road electric brakes and hand brake
- DO35, 3.5 tonne fully articulated off-road coupling
- Aluminium checker plate drawbar step and spirit level
- Rear fold down deck coated in durable slip resistant finish for safe road side access. Now featuring built in deck legs for convenience
- LED tail lights and side clearance markers
- Rear wood rack
- 108L steel protected food grade tank with grit filters
- 2x side panniers for 20L jerry cans (40L total)

POWER:

- Roof mounted 60W solar panel with regulator
- Voltmeter
- 105Ah deep cycle AGM battery, fused and wired to anderson plug connection
- Interior Command Console (ICC) fascia with master switch and individual circuit switching
- Merit, cigarette and USB plugs integrated within ICC

OUTDOOR LIVING:

- Sail awning

DRAWBAR:

- Drawbar stone deflectors

- 4x jerry can holders
- Spare wheel mount & tyre / gas bottle cover

KITCHEN:

- Classic Kitchen /stainless steel slide out 2 burner kitchen, including sink and plumbed water, 2x 4kg gas bottles and mounts
- External light over kitchen
- 12V merit plug in kitchen locker

INTERIOR REFINEMENTS:

- Twin roof hatches with blinds and insect screens
- Genuine Australian made Wax Converters canvas (Dynaproofed)
- Easy to use magnetised tent fixings for a quicker and easier set up and pack up
- Magnetised window curtains
- Queen size high density foam mattress
- LED light in tent
- LED reading lights – individually switched with a master override
- Internal tool box and security lock box
- Storage locker lighting
- Insulated wall panels and fabric lined roof

TVAN MODELS:

*Images below depict models with front boot and sliding glass window options



Yulara



Tanami



Canning



Murranji

Buying a Track Trailer® Tvan® has never been easier. New for 2017-18 Track Trailer® has improved the ever popular Tvan® MK5 with all new Tvan models and options.

Simply select a Tvan® Model that best suits your needs and add selected individual items from our extensive options and accessory lists.

The models are a combination of the most commonly ordered options and accessories. These models represent the best value with a significant discount applied to all options within them.

Listed options can also be added or upgraded on any model.

DO IT THE EASY WAY

BUILD YOUR OWN TVAN USING OUR ONLINE QUOTE CONFIGURATOR



 Build your own Tvan

Water:

108L water tank

Draw water from an external source; such as a jerry can or creek

Additional 70L water tank

Kitchen:

Classic Kitchen /stainless steel slide out 2 burner kitchen, including sink
External light over kitchen & 12V merit plug in kitchen locker.

Kitchen extension shelf quickly and easily attaches to the wheel arch cover
condiments and includes a tea towel hanger.

Upgrade to Premium kitchen: Larger prep space, more storage including
with Piezo ignition. Glass top sink with flick-mixer tap and easy to use

Under kitchen LED light

Power:

Upgrade to 120W rooftop solar panel

21A battery charger

25A DC DC MPPT charger

Battery management display upgrade

Battery management display - Bluetooth upgrade

4x USB sockets alongside bed (2x each side)

Inverter 300W pure Sine - fitted

2x outside 240V kitchen outlets

Installation of 2nd battery wiring (for future upgrade)

2nd 105Ah Deep Cycle Battery

Lithium 90Ah (126AH equiv) battery (upgrade from AGM 105)

2nd Lithium 90Ah battery and wiring

40A DC DC MPPT charger (Redarc) (upgrade from 25A)

Drawbar Frame:

Std. Drawbar with stone deflectors, 4 x jerry can holders, 2 x gas bottle
bottle cover

Front pivoting tray / wood rack

(required for mounting bike racks)

1x Bike rack (max 2, requires front pivoting tray)

Drawbar Storage:

Front boot: Equipped with 2 sealed lockers accessible on the LHS and
fridge drawer, insulation ,12V power and venting. The RH compartment
LED light.

RHS slide out tray with tie down points

Front boot shelf 440mm above the short slide

Front boot shelf 510mm above the short slide

Front boot shelf 440mm above the long slide

Front boot shelf 510mm above the long slide

RHS venting & power (for a 2nd fridge)

Drawer swap RHS to LHS (for longer fridges)

Engel Posi-Lock Socket in fridge compartment

Front storage box bike mounting brackets (add bike racks)

1x Bike rack, (max 4, requires front storage brackets)

Interior Refinements:

Roof storage system
Side wall storage pockets
Under mattress liner
3 speed fan with timer
Additional fan 3 speed fan with timer
Fabric lined bed head
AM/FM/ Bluetooth Fusion Portable speaker with dock (water proof), Inc
Diesel hot water & heating
Skyward™ Rear lift up deck - for easy access
Bed tie down rails (pair)
Fabric lined rear tent hatch
Interior canvas seats (pair)
Hatch mounted entry light (above tent door)
240V under bed air conditioner, 2x bed head vents and 1x tent vent
Sliding glass windows (fly or sand-fly mesh)
Innerspring pillow top mattress upgrade
Ultimate pocket spring mattress upgrade
GPS tracker (Black Knight)
Tent & Canvas Expansions:
Rear insect screen (30sec setup)
2 additional tent windows and vent under bed
Ensuite tent (purchased with diesel hot water)
Ensuite tent

Rear insect screen upgrade to full canvas
Tropical roof (in lieu of catch net)
Zip on family room tent with solid vinyl floor
Outdoor Living:
Sail awning
Quick Cover™ Swing out awning
Awning roof, kitchen end & fridge wall
Separate 2nd end wall (tent end)
Window upgrade per wall (end wall)
Separate draught skirt
Separate front wall with 2 x windows & door
Style:
Alloy Wheels upgrade
ROH Octagon or Trojan 16x8
Customise external highlight colour and internal drawer trim colour (10
Storage:
LHS inside pannier storage bin
RHS Lockable outside pannier doors x1 (not dust proof)
LHS Lockable outside pannier doors x1 (not dust proof)
Under bed storage box 40 litre (each)
Under bed drawer storage system (all 3 drawers below) - sheet metal c packing
LHS drawer - single

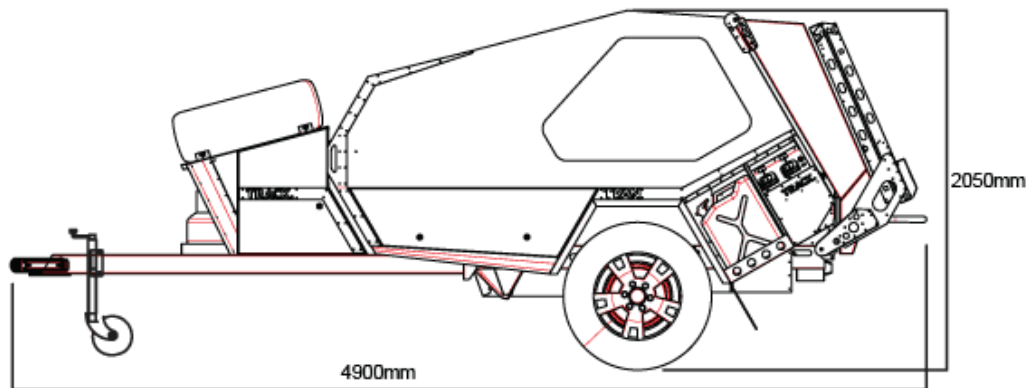
LHS drawer to suit for air-conditioning - single
Middle drawer - single
RHS drawer - single
Maxtrax mounting pins
Maxtrax available in blue, green, red and orange to match your Tvan
Portable toilet
Suspension & Chassis:
Underbody spare wheel carrier
1.8 Tonne suspension upgrade including 12" electric drum brakes
Bump stops to suit 33" diameter tyres
Electronic stability control
ALKO Ratchet jockey with solid wheel
Underbody protection mudflaps

TVAN DIMENSIONS AND WEIGHT

These specifications are for our standard models only. Weight will vary with additional options. Please see model section for further details on specifications.

	Yulara	Tanan
--	--------	-------

Tare mass with the standard drawbar package	940	950
Load capacity - kg's	560	550
Ball weight - kg's	90	95
Tare mass with Front boot package fitted	975	985
Load capacity with Front boot package fitted - kg's	525	515
Ball weight with Front boot package fitted - kg's	115	120




Overall length in travel mode	4900
Overall width	1920
Height unladen	2050
Height unladen with Quick Cover	2100


Interior setup length	4800
Tent area size (on the deck)	1700x2000
Wheel track	1650
Departure angle	30°
Suspension travel	250
Axle capacity	1600kg
Water tank	108L
2nd water tank (optional)	70L
Jerry cans	Up to 6
Hot water (optional)	20L

WHAT'S NEXT? – THERE'S STILL LOADS OF INFORMATION!

 [Get a Brochure](#)

 [Build your own Tvan](#)

 **Try before you Buy**

 **Find a Dealer**

QUICK BROCHURE REQUEST:

Name: *

First

Last

Email: *

Phone *

State *

Please select your state:

Please select the product your interested in *

- Tvan
- Topaz
- Mate

We will use any data collected to respond to your request. For more information please read our [Privacy Policy](#).

Email list subscription *

- Opt in
- Opt out

SUBMIT